

**KOBELCO**

SK45SRX-6/SK55SRX-6

**SK45SRX SK55SRX**

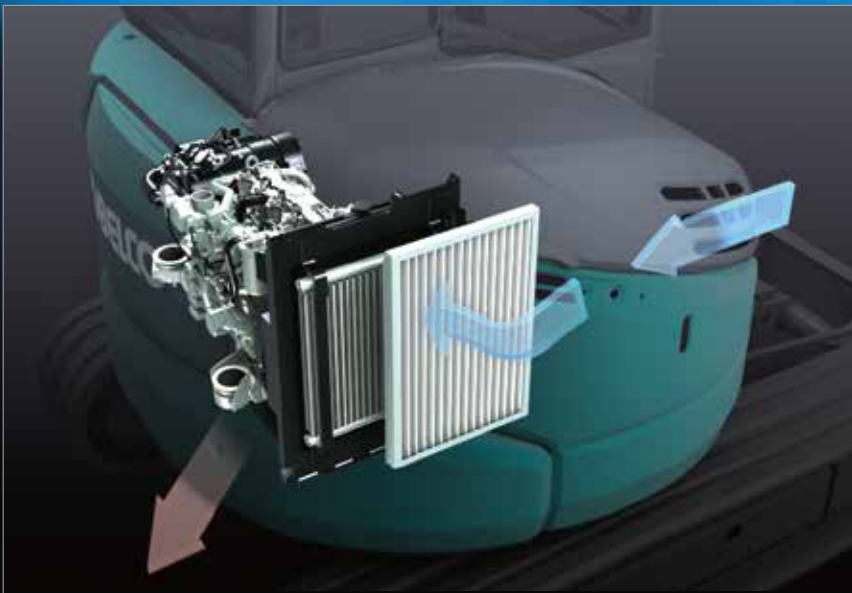


**We Save You Fuel**  
Achieving a Low-Carbon Society

# Full-Size Performance, Short-Radius Agility and Quiet Operation

## COMPACT YET TOUGH MINI

Now KOBELCO has taken the next evolutionary step by packing even more digging power and practical performance features into the SK45SRX/SK55SRX while maintaining a short tail swing. The new Energy Conservation Mode saves even more fuel, and Kobelco's proprietary iNDr Cooling System ensures quiet operation, protection from dust, and easy maintenance. For greater operator comfort and safety, the rectangular cab design offers plenty of room and an unobstructed view. It all adds up to enhanced full-size performance, short-radius agility and a low-noise environment, with exceptional performance features and a full range of value-added functions.

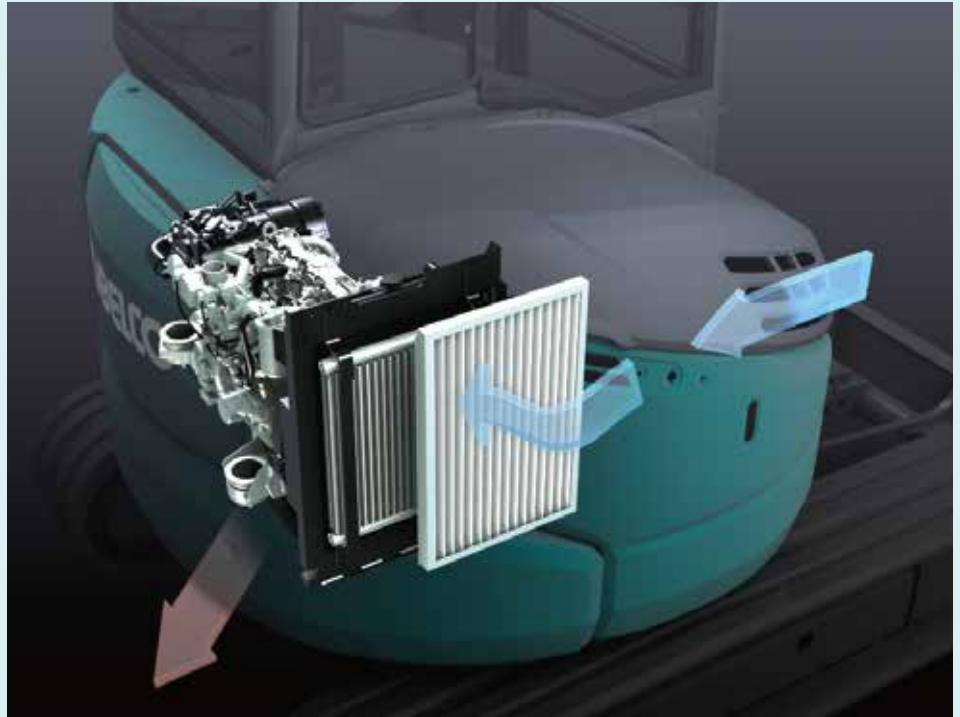




# iNDr Cooling System



The highly airtight engine compartment and the offset duct contribute to noise reduction. The iNDr filter fitted in front of the cooling system ensures easy cleaning. The iNDr system on the SK45SRX/SK55SRX features air intake at the front of the machine and air exhaust underneath. It functions in the same way as the iNDr System on the SR series machines.



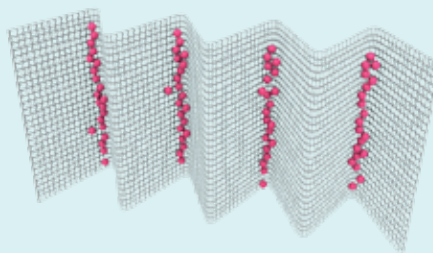
### Visual Checking and Easy Cleaning

Because the iNDr filter removes dust from the intake air, cooling components stay dirt-free and do not require regular cleaning. The iNDr filter itself can be easily removed and cleaned without the use of tools.



### iNDr Filter

The stainless-steel filter is extremely effective against dust, with 30-mesh wave-type screen that removes tiny dust particles from the intake air.



• 30-mesh means that there are 30 holes formed by horizontal and vertical wires in every square inch of filter.

### iNDr Filter Blocks Out Dust

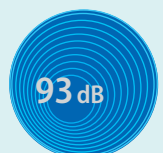
Outside air goes directly from the intake duct through the iNDr filter for dust removal.



### Ultimate Low Noise

KOBELCO's exclusive iNDr Cooling System delivers amazingly quiet operation. In fact, the SK45SRX/SK55SRX is 9 dB quieter than the previous models.

Sound Power Level

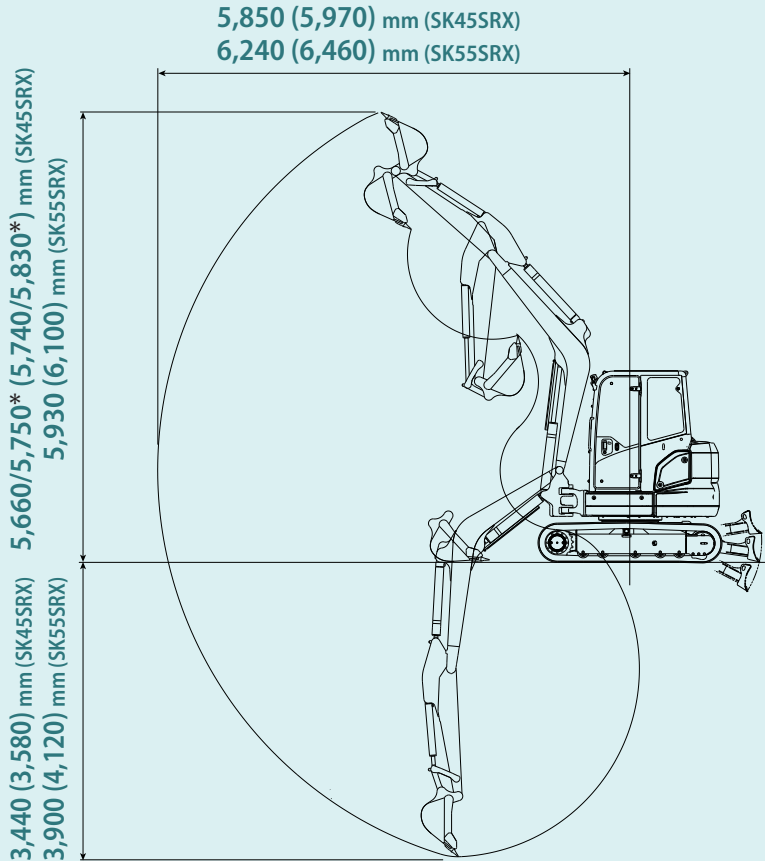


## PERFORMANCE

# Compact, yet, Big Performance

### Wide Working Range

A larger boom and arm are provided as standard equipment to ensure a wider working range.



Figures in ( ) show the value with long arm spec.  
Figures marked with an asterisk (\*) show the value of canopy.

### Short Tail Swing

The compact tail swing improves operating efficiency in limited space.



\*Figure shows the value of with add-on counterweight.

### Energy Conservation Mode

The SK45SRX/SK55SRX adapts S mode which enables 23 % less fuel consumption compared with H mode.



### One Touch Deceleration

The machine features one-touch deceleration. It allows easy switching to an idling state, reducing the fuel consumption while the machine is at rest. And also, the deceleration select switch is provided on the control panel.



Deceleration switch



Deceleration select switch

### Easy Transportability

With an overall height of 2,530 mm, the machine is designed for easy transport.



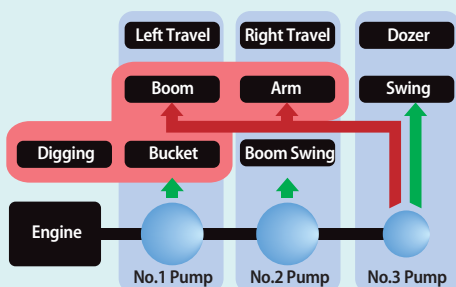
# Fast, Full-Powered Digging and Leveling

## Powerful Digging Performance



### Integrated-Flow Pump System

The instant the machine begins to dig, extra output from the third pump (which otherwise powers the swing and dozer circuit) is directed to the arm circuit and boom circuit (raise) for added power. This ensures fast and smooth arm and boom raising operation even under heavy loads.



### Easy Hydraulic Piping for Quick Hitch

Quick Hitch is available as option. Piping for Quick Hitch is fitted as standard.



### Large Capacity Engine

The large-capacity engine packs plenty power for outstanding hydraulic performance.



## More Travel Power

### Large Capacity Travel Torque

The large capacity travel torque enables the machine to perform spin turn in low mode even when the dozer is pushing a heavy load.

### Automatic Two-Speed Travel

An automatic shift function ensures smoother, more efficient travel on worksite. When the High mode is selected, the travel system will automatically shift to Low mode whenever the load or climbing grades requires more power.

### Travel Switch

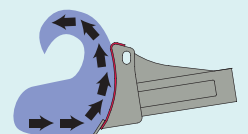
The travel lever is fitted with a button for easy shift up.



## Powerful and Efficient Dozer Performance

### Dozer-Blade Shape

KOBELCO's unique blade design solves this problem by forming the earth into an arc that always falls forward. Because this prevents earth from falling behind the blade, only "one pass" is needed.



### Hydraulic Pilot-Controlled Dozer Operation Lever



The dozer lever features hydraulic pilot control for precise handling.

# Easy Daily Maintenance

Start-up checks are essential for safe and reliable machine operation. All start-up checks can be performed at ground level, with an easy-to-understand layout and cover design that simplify access and save time.

## Easy Access to Component Inside the Cab



Two-piece floor mats for easy washing



Hour meter

## Floor Mat with Raised Edges

Floor mat's raised edges help keep the cab floor free of mud, simplifying cleaning.



## Easy Access to Cooling Unit

iNDr filter



Fuel tank

## Easy Access to Engine Compartment



High-grade fuel filter



Pre fuel filter with built-in water separator



Air cleaner



## Comfortable Work Environment



### Spacious Work Environment

The newly designed, rectangular cab is over 820 mm wide, with optimized control layout for comfortable, easy operation. A greater window area further improves visibility. A clear view is provided at the rear, and there's also more floor space, with a seat that slides further to ensure plenty of leg room.

### Easy Access

A wide-opening door and a left-hand tilting control console with safety lever that rises high, make it easy for operators to enter and exit the cab.



### Reclining Suspension Seat

Suspension seat reclines to allow operator to optimize operating position and sit comfortably.



### Skylight



### Control Lever

Precise proportional controls (optional) are integrated into the joystick for ease of operation.



### Color Multi Display (Option)



Operation data as well as the full range of machine-status data can readily be checked.



Maintenance



Working hours



# Comfortable Operating Environment

## Opening Right Window

Rear window to the right can be opened to improve ventilation.



## Climate Control

The climate control system is located down and to the right of the seat keeping the rear view clear.



## Opening/Closing Front Window

The front window features gas damper cylinders for smooth and easy opening and closing.



## Coat Hook



## Room Light



## Two-Speaker FM/AM Radio with Station Select

### Bluetooth Installed Radio



Bluetooth installed to allow connections with iPhones and other devices.

### 12V Power Source

Power for various purposes.



### USB Port

USB port can be used to play music etc.



# Operator Safety

## Reliable Cab/Canopy Structure

The high-strength cab/canopy meets ROPS and TOP GUARD LEVEL 1 standards (FOPS Guard) for greater operator safety.



## Rear View Mirrors



## Hammer for Emergency Exit



## Bracket for Yellow Rotating Light

Bracket provided at cab rear for optional fitting of a yellow rotating warning light.



## Work Light

Work light is mounted under the boom to protect from damage.



## RELIABILITY

# Reliable Construction

The boom, arm and swing bracket all have large cross-section segments for added attachment strength.

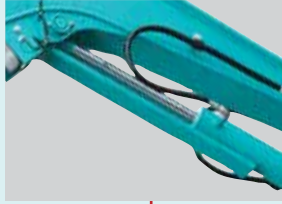
### Forged boom top



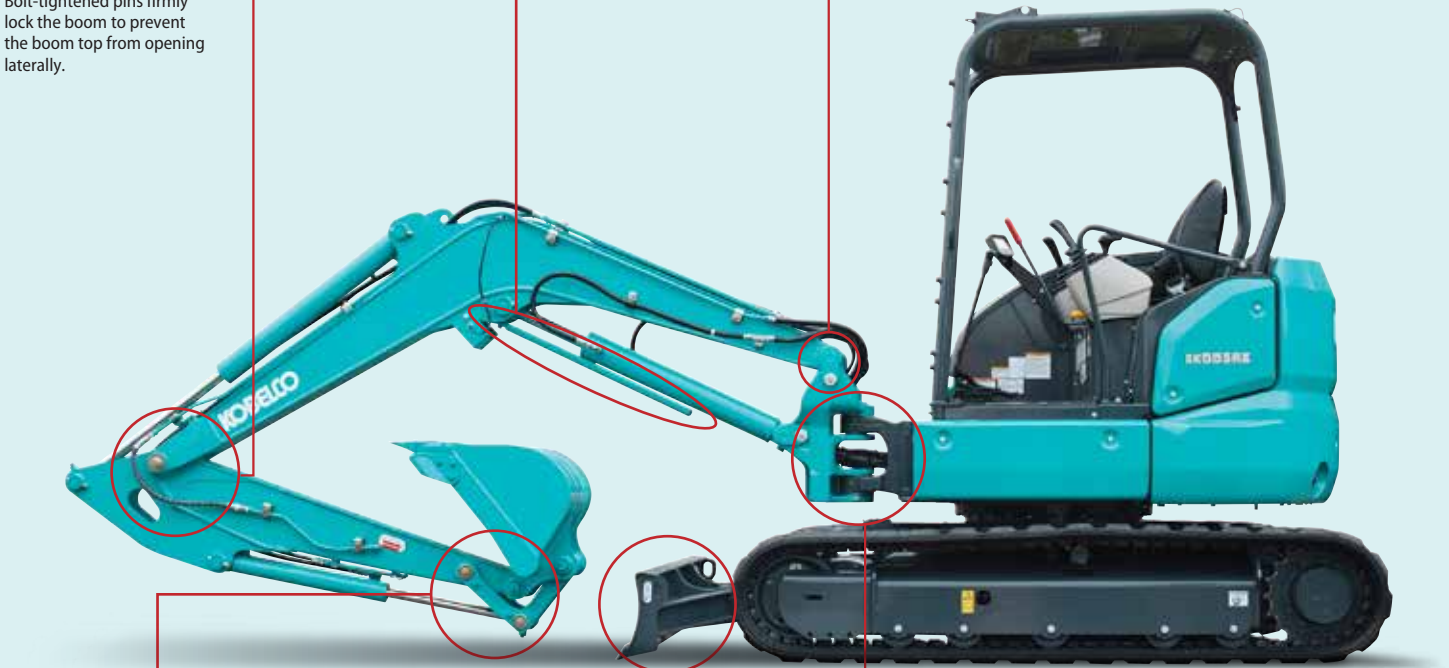
#### Bolt-tightened pins

Bolt-tightened pins firmly lock the boom to prevent the boom top from opening laterally.

### Boom cylinder guard



### Plate type pin



### Bucket

Cast-iron idler link provides greater strength.



### Dozer

Box construction dozer supports provide greater strength.



### Swing bracket

Large, thick cast-iron swing bracket/front bracket.



### Hydraulic hosing

The hydraulic hosing is housed inside the swing bracket.

## Accumulator for Emergency Attachment Lowering

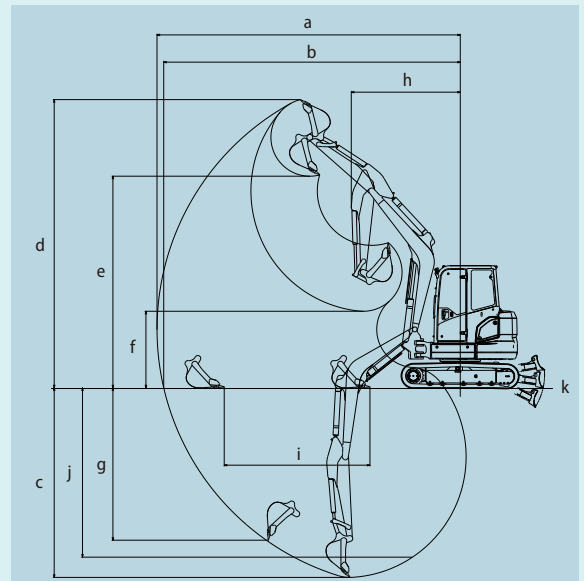
An installed accumulator allows the attachment to be safely lowered to the ground using in-cab controls in the event of an unexpected engine shut-down and class leading smooth operation.



## SPECIFICATIONS

GENERAL						
MODEL		SK45SRX		SK55SRX		
Type		SK45SRX-6		SK55SRX-6		
Crawler Shoe		Rubber	Steel	Rubber	Steel	
Machine Mass	Cab	kg	4,540	4,680	5,020	5,160
	Canopy	kg	4,430	4,570	4,900	5,040
Bucket Capacity	m <sup>3</sup>	0.14		0.16		
Bucket Width (with side cutter)	mm	600		600		
Arm Length	m	1.55		1.69		
Bucket Digging Force	kN	35.2		35.2		
Arm Crowding Force	kN	20.9		24.6		
ENGINE						
Model		YANMAR 4TNV88-B				
Type		Water cooled, 4-cycle, 4-cylinder, direct injection, diesel engine				
Power Output	(ISO 9249)	kW/min <sup>-1</sup>	28.3/2,400			
	(ISO 14396)	kW/min <sup>-1</sup>	29.5/2,400			
Max. Torque	(ISO 9249)	N-m/min <sup>-1</sup>	131.1/1,440			
	(ISO 14396)	N-m/min <sup>-1</sup>	132.9/1,440			
Displacement	L	2.189				
Fuel Tank	L	75.0				
HYDRAULIC SYSTEM						
Pump		Two variable displacement pumps + one gear pump				
Max. Discharge Flow	L/min	2 x 49.9, 1 x 33.8				
Relief Valve Setting	MPa	23.0				
Hydraulic Oil Tank (system)	L	27.9 (57.7)				
TRAVEL SYSTEM						
Travel Motors		2 x axial-piston, two-step motors				
Parking Brake		Oil disc brake per motor				
Travel Speed (high/low)	km/h	4.0/2.3	3.7/2.1	4.0/2.3	3.7/2.1	
Gradeability	% (degree)	58 (30)				
Drawbar Pulling Force	kN	55.2	59.4	54.9	59.1	
CRAWLER						
Shoe Width		mm	400			
Ground Pressure	Cab	kPa	26.1	27.7	28.7	30.4
	Canopy	kPa	25.4	27.0	28.0	29.7
DOZER BLADE						
Width x Height		mm	1,960 x 345			
Working Ranges (height/depth)		mm	375 x 385			
SWING SYSTEM						
Swing Motor		Axial piston motor				
Parking Brake		Oil disc brake, hydraulic operated automatically				
Swing Speed		min <sup>-1</sup>	8.8			

## WORKING RANGES



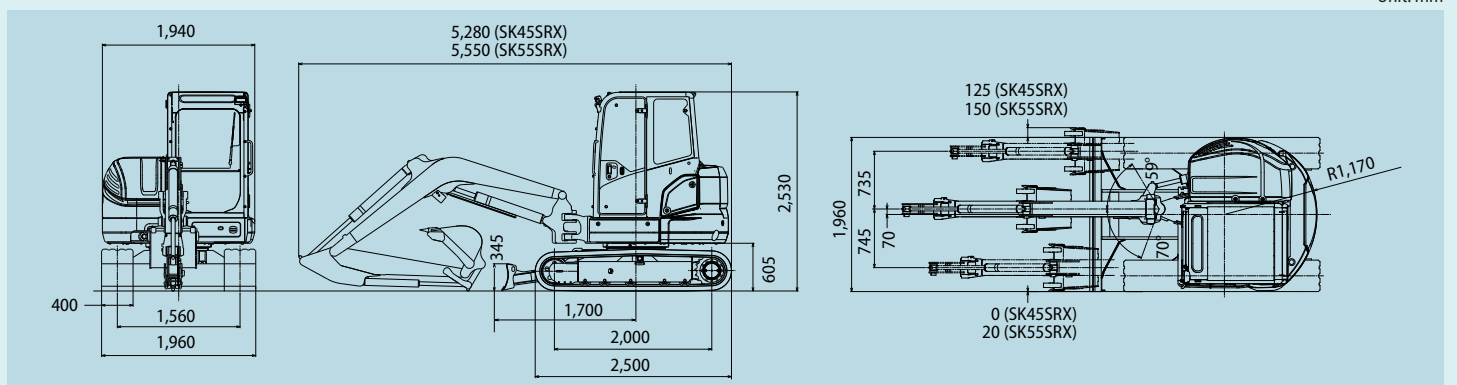
### Standard Arm

MODEL	SK45SRX		SK55SRX
	Cab	Canopy	
Arm length	1.55 m	1.69 m	
a- Max. digging reach	5,850	6,240	
b- Max. digging reach at ground level	5,700	6,100	
c- Max. digging depth	3,440		3,900
d- Max. digging height	5,660	5,750	5,930
e- Max. dumping clearance	4,080	4,160	4,350
f- Min. dumping clearance	1,510	1,560	1,580
g- Max. vertical wall digging depth	2,820		3,140
h- Min. swing radius at boom swing	2,250	2,210	2,250
i- Horizontal digging stroke at ground level	2,650		3,000
j- Digging depth for 2.4 m (8') flat bottom	3,020		3,480
k- Dozer blade (height/depth)	465/335		465/335

### Long Arm

MODEL	SK45SRX		SK55SRX
	Cab	Canopy	
Arm length	1.69 m	1.92 m	
a- Max. digging reach	5,970	6,460	
b- Max. digging reach at ground level	5,820	6,330	
c- Max. digging depth	3,580		4,120
d- Max. digging height	5,740	5,830	6,100
e- Max. dumping clearance	4,160	4,240	4,520
f- Min. dumping clearance	1,370	1,420	1,360
g- Max. vertical wall digging depth	2,930		3,350
h- Min. swing radius at boom swing	2,260	2,220	2,270
i- Horizontal digging stroke at ground level	2,470	2,870	2,270
j- Digging depth for 2.4 m (8') flat bottom	3,170		3,730
k- Dozer blade (height/depth)	465/335		465/335

## GENERAL DIMENSIONS



## OPTIONAL EQUIPMENT

• Rotating N&B (HCP*) piping	• Steel shoe	• Front guard for cab and canopy	• Rear view mirror
• N&B (HCP*) piping	• Bolt-on Pad shoes (for steel shoes)	• Canopy light	• Rear under mirror
• Object Handling Kit*1	• Arm for Quick Hitch / Quick Hitch piping	• ROPS cab with air conditioner	• Travel alarm
• Wide range of buckets	• Color Multi Display	• 1.69 m long arm for SK45SRX (+140 mm)	
• 1.92 m long arm for SK55SRX (+230 mm)	• Arm & bucket cylinder guard	• Add-on counterweight (250 kg)	

\*Hand Control Proportional \*1 Boom and arm safety valve + hook

