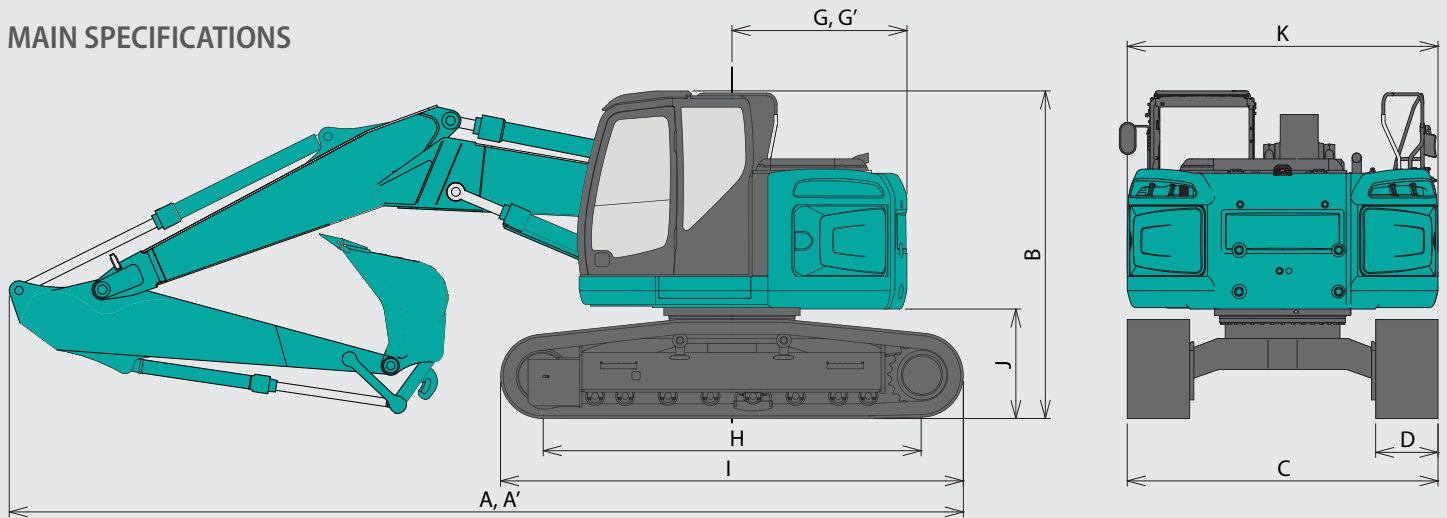


MAIN SPECIFICATIONS



MODEL	SK230SRLC-5	
Rated power output (ISO14396: Without fan)	kW/min ⁻¹	124 / 2,000
Operating weight	kg	24,400
Operating weight with dozer	kg	26,000
A. Overall length	mm	9,200
A'. Overall length with dozer	mm	10,070
B. Overall height	mm	3,160
C. Overall width	mm	2,990
D. Shoe width	mm	600
G. Tail swing radius	mm	1,680
G'. Tail swing radius with additional weight	mm	1,840
H. Tumbler distance	mm	3,660
I. Overall length of crawler	mm	4,450
J. Counterweight clearance	mm	1,030
K. Overall width of upperstructure	mm	2,990

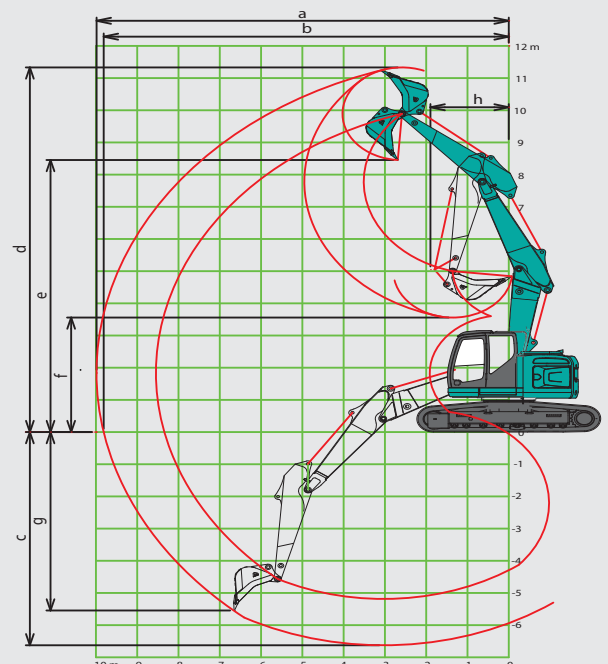
OPTIONAL EQUIPMENT

- Wide range of shoes
- Front guard
- Additional counterweight (+1,400 kg)
- Cab top work lights (two lights)
- Bigger capacity P4 pump and steel PTO housing
- Rain visor
- Lower frame guard
- Additional track guides
- Dozer blade (only for 600 mm shoe) (1,600 kg)
- Travel alarm

WORKING RANGES

Unit: mm

		SK230SRLC-5
Boom		Two piece
Range		2.87 m
a-	Max. digging reach	9,985
b-	Max. digging reach at ground level	9,810
c-	Max. digging depth	6,625
d-	Max. digging height	11,330
e-	Max. dumping clearance	8,455
f-	Min. dumping clearance	3,560
g-	Max. vertical wall digging depth	5,550
h-	Min. swing radius	1,900

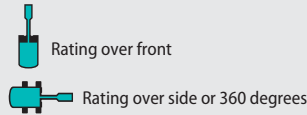
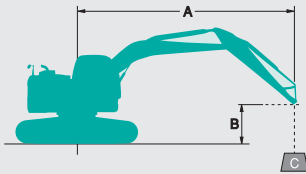


2-PIECE BOOM

SK230SR_{LC}

SK230SR_{LC}-5

LIFTING CAPACITIES



A – Reach from swing centerline to arm top
 B – Arm top height above/below ground
 C – Lifting capacities in tons
 Bucket : Without bucket

SK230SR _{LC} -5		Arm: 2.87 m		Bucket: without		Shoe: 600 mm		*HEAVY LIFT		At Max. Reach		Radius		
B	A	1.5 m	3.0 m	4.5 m	6.0 m	7.5 m								
7.5 m	ton			*6.0	*6.0	*5.1	*5.1			*3.2	*3.2	6.36		
6.0 m	ton			*6.0	*6.0	*5.5	5.2			*3.0	*3.0	7.44		
4.5 m	ton		*12.3	*12.3	*8.6	7.8	*6.9	5.2	*4.8	3.5	*3.1	*3.1	8.11	
3.0 m	ton		*12.8	*12.8	*9.8	7.6	*7.3	4.9	5.4	3.4	*3.2	2.7	8.46	
1.5 m	ton		*12.8	*12.8	*10.4	7.6	*7.3	4.9	*5.2	3.2	*3.5	2.6	8.54	
G.L.	ton	*10.3	*10.3	*15.6	12.9	*10.4	6.9	*7.3	4.5	5.2	3.1	*4.0	2.6	7.34
-1.5 m	ton	*13.3	*13.3	*16.3	12.3	*10.6	6.5	7.2	4.2	5.1	2.9	*4.7	2.8	7.86
-3.0 m	ton	*26.7	*26.7	*15.3	12.2	*9.9	6.3	*6.4	4.0			*4.1	3.2	7.02
-4.5 m	ton	*18.6	*18.6	*10.1	*10.1	*5.8	*5.8					*2.9	*2.9	5.67

SK230SR _{LC} -5		Arm: 2.87 m		Bucket: without		Shoe: 600 mm		With dozer		*HEAVY LIFT		At Max. Reach		Radius
B	A	1.5 m	3.0 m	4.5 m	6.0 m	7.5 m								
7.5 m	ton			*6.0	*6.0	*5.1	*5.1			*3.2	*3.2	6.36		
6.0 m	ton			*6.0	*6.0	*5.5	*5.5			*3.0	*3.0	7.44		
4.5 m	ton		*12.3	*12.3	*8.6	8.4	*6.9	5.6	*4.8	3.8	*3.1	*3.1	8.11	
3.0 m	ton		*12.8	*12.8	*9.8	8.2	*7.3	5.3	5.9	3.7	*3.2	*3.2	8.46	
1.5 m	ton		*12.8	*12.8	*10.4	8.1	*7.6	5.0	5.7	3.5	*3.5	2.8	8.54	
G.L.	ton	*10.3	*10.3	*15.6	14.0	*10.4	7.5	*7.7	4.9	5.7	3.4	*4.0	2.8	7.34
-1.5 m	ton	*13.3	*13.3	*16.3	13.3	*10.6	7.1	*7.7	4.6	*5.4	3.2	*4.7	3.0	7.86
-3.0 m	ton	*26.7	*26.7	*15.3	13.2	*9.9	6.8	*6.4	4.4			*4.1	*4.1	7.02
-4.5 m	ton	*18.6	*18.6	*10.1	*10.1	*5.8	*5.8					*2.9	*2.9	5.67

SK230SR _{LC} -5		Arm: 2.87 m		Bucket: without		Shoe: 600 mm		Add. Counterweight 1,400 kg		*HEAVY LIFT		At Max. Reach		Radius
B	A	1.5 m	3.0 m	4.5 m	6.0 m	7.5 m								
7.5 m	ton			*6.0	*6.0	*5.1	*5.1			*3.2	*3.2	6.36		
6.0 m	ton			*6.0	*6.0	*5.5	*5.5			*3.0	*3.0	7.44		
4.5 m	ton		*12.3	*12.3	*8.6	*8.6	*6.9	*5.7	*4.8	4.0	*3.1	*3.1	8.11	
3.0 m	ton		*12.8	*12.8	*9.8	*8.3	*7.3	5.6	*6.0	3.9	*3.2	3.1	8.46	
1.5 m	ton		*12.8	*12.8	*10.4	*8.3	*7.6	5.3	5.9	3.8	*3.5	3.0	8.54	
G.L.	ton	*10.3	*10.3	*15.6	14.7	*10.4	7.9	*7.7	5.2	5.8	3.6	*4.0	3.0	8.34
-1.5 m	ton	*13.3	*13.3	*16.3	14.1	*10.6	7.5	*7.7	4.9	*5.4	3.4	*4.7	3.2	7.86
-3.0 m	ton	*26.7	*26.7	*15.3	14.0	*9.9	7.2	*6.4	4.7			*4.1	*4.1	7.02
-4.5 m	ton	*18.6	*18.6	*10.1	*10.1	*5.8	*5.8					*2.9	*2.9	5.67

SK230SR _{LC} -5		Arm: 2.87 m		Bucket: without		Shoe: 600 mm		Add. Counterweight 1,400 kg		With dozer		*HEAVY LIFT		Radius
B	A	1.5 m	3.0 m	4.5 m	6.0 m	7.5 m								
7.5 m	ton			*6.0	*6.0	*5.1	*5.1			*3.2	*3.2	6.36		
6.0 m	ton			*6.0	*6.0	*5.5	*5.5			*3.0	*3.0	7.44		
4.5 m	ton		*12.3	*12.3	*8.6	*8.6	*6.9	6.0	*4.8	4.3	*3.1	*3.1	8.11	
3.0 m	ton		*12.8	*12.8	*9.8	8.6	*7.3	6.0	*6.0	4.2	*3.2	*3.2	8.46	
1.5 m	ton		*12.8	*12.8	*10.4	8.4	*7.6	5.7	*6.0	4.0	*3.5	3.2	8.54	
G.L.	ton	*10.3	*10.3	*15.6	*15.6	*10.4	8.4	*7.7	5.6	*5.8	3.9	*4.0	3.3	8.34
-1.5 m	ton	*13.3	*13.3	*16.3	15.2	*10.6	8.0	*7.7	5.2	*5.4	3.7	*4.7	3.5	7.86
-3.0 m	ton	*26.7	*26.7	*15.3	15.0	*9.9	7.8	*6.4	5.1			*4.1	*4.1	7.02
-4.5 m	ton	*18.6	*18.6	*10.1	*10.1	*5.8	*5.8					*2.9	*2.9	5.67

NOTES:

- Do not attempt to lift or hold any load that is greater than these lift capacities at their specified lift point radius and heights. Weight of all accessories must be deducted from the above lift capacities.
- Lift capacities are based on machine standing on level, firm, and uniform ground. User must make allowance for job conditions such as soft or uneven ground, out of level conditions, side loads, sudden stopping of loads, hazardous conditions, experience of personnel, etc.
- Arm top defined as lift point.
- The above lifting capacities are in compliance with SAE J/ISO 10567. They do not exceed 87 % of hydraulic lifting capacity or 75 % of tipping load. Lifting capacities marked with an asterisk (*) are limited by hydraulic capacity rather than tipping load.
- Operator should be fully acquainted with the Operator's and Maintenance Instructions before operating this machine. Rules for safe operation of equipment should be adhered to at all times.

Note: This catalog may contain attachments and optional equipment that are not available in your area. And it may contain photographs of machines with specifications that differ from those of machines sold in your areas. Please consult your nearest KOBELCO distributor for those items you require. Specialist equipment is needed to use this machine in demolition work. Before using it please contact your KOBELCO dealer. Due to our policy of continuous product improvements all designs and specifications are subject to change without advance notice.
 Copyright by **KOBELCO CONSTRUCTION MACHINERY EUROPE B.V.** No part of this catalog may be reproduced in any manner without notice.

KOBELCO CONSTRUCTION MACHINERY EUROPE B.V.

Veluwezoom 15
 1327 AE Almere
 The Netherlands
www.kobelco-europe.com

Inquiries To: